

When pumping solutions, make certain that all tubing is securely attached to the fittings. It is recommended that tubing or pipe lines be shielded to prevent possible injury in case of rupture or accidental damage. Always wear protective clothing and face shield when working on or near your metering pump.

Note: See parts list for materials of construction

A. INSTALLING INJECTION CHECK VALVE (FIGURE 1)

Note: Not all configurations have an injection valve

1. The Injection Check Valve prevents backflow from a treated line. Install the injection check valve at the location where chemical is being injected into the system.
2. Any size Female NPT fitting or pipe tee with a reducing bushing to 1/2" Female NPT will accept the injection check valve. PTFE tape should only be used on threads that are connected with pipes.
3. When installing the Injection Check Valve, be sure to position it so that the valve enters the bottom of your pipe in a vertical position. Variations 40° left and right are acceptable.

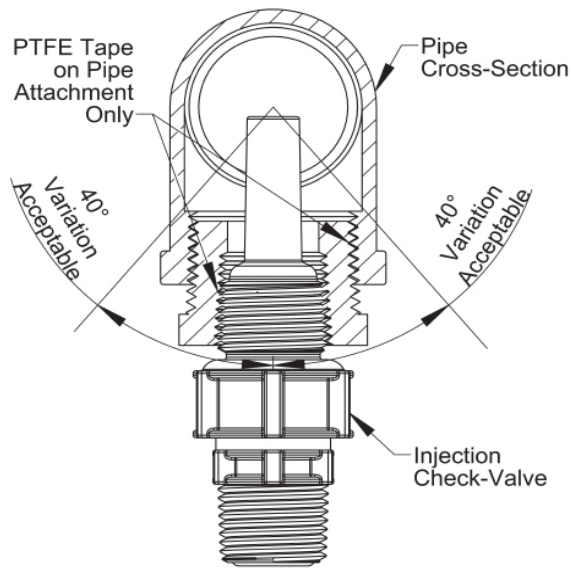


FIGURE 1

B. CONNECTING DISCHARGE TUBING (FIGURE 2)

Note: Cut tubing to length needed for discharge line.

1. Route tubing from the injection check valve to the metering pump, making sure it does not touch hot or sharp surfaces, or is bent so sharply that it kinks.
2. Put coupling nut over tubing.
3. Position female Ferrule about one inch (25 mm) from end of tubing.

4. For 1/4" or 6 mm OD tubing, cut tubing so that 1/4" to 3/8" (5-10 mm) protrudes from the female Ferrule. For all other tubing push the tube to the bottom of the groove in the male Ferrule. Then slide the female Ferrule down into the male Ferrule.
5. Firmly hand tighten the coupling nut onto the fitting.

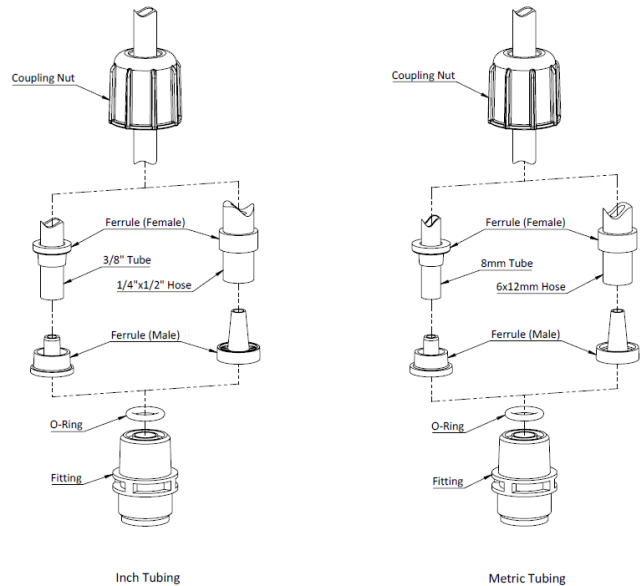


FIGURE 2

DO NOT USE CLEAR VINYL TUBING ON THE DISCHARGE SIDE OF THE PUMP.

DO NOT USE PLIERS OR PIPE WRENCH ON COUPLING NUTS OR FITTINGS.

C. CONNECTING SUCTION TUBING/FOOT VALVE

Note: High-viscosity liquid ends are not equipped with a foot valve. Flooded suction is recommended. 1/2" NPT connector is included for flooded suction installations.

1. The foot valve acts as a check valve to keep the pump primed in suction lift applications. Cut suction tubing to a length so that the foot valve hangs approximately 2 in (50 mm) above the bottom of the solution container. Please refer to Figures 3 and 4 for proper foot valve positioning. Maximum recommended vertical suction lift is 13.1 ft (4 m) for Output Codes 2 & 3 and 6.5 ft (2 m).

2. The ceramic weight, when installed, helps position foot valve in a vertical position. Attach the foot valve to one end of the suction tubing and slide the ceramic weight over the tubing end until it contacts the top of the foot valve coupling nut. Place foot valve and tubing into solution tank.

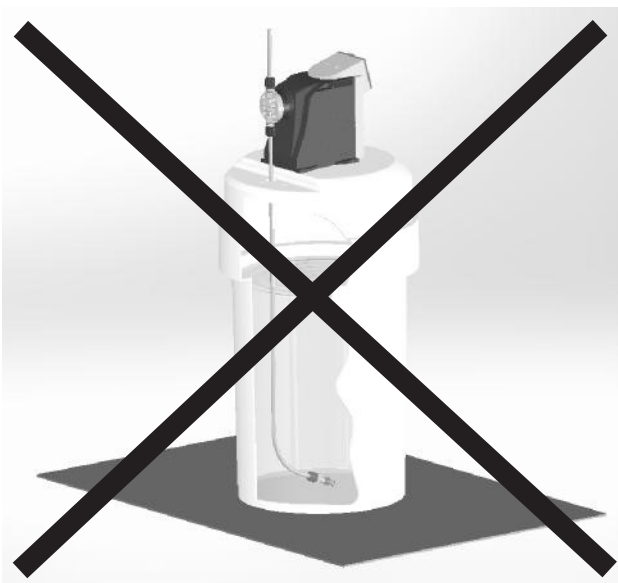


FIGURE 3 - Incorrect Foot Valve Installation

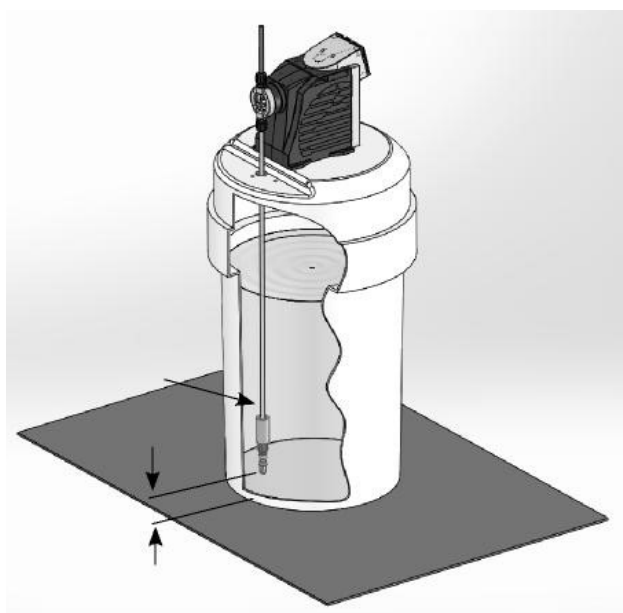



FIGURE 4 - Correct Foot Valve Installation

D. PRIMING

1. Prime the pump by pressing PRIME . The pump will operate at the flow rate and for the duration configured in the settings menu for the prime feature.
2. For more information on the prime feature, please refer to Section 4.5 the EXCEL XR Operation Manual available by searching for "Excel XR" on support.lmipumps.com or scanning the QR code below.

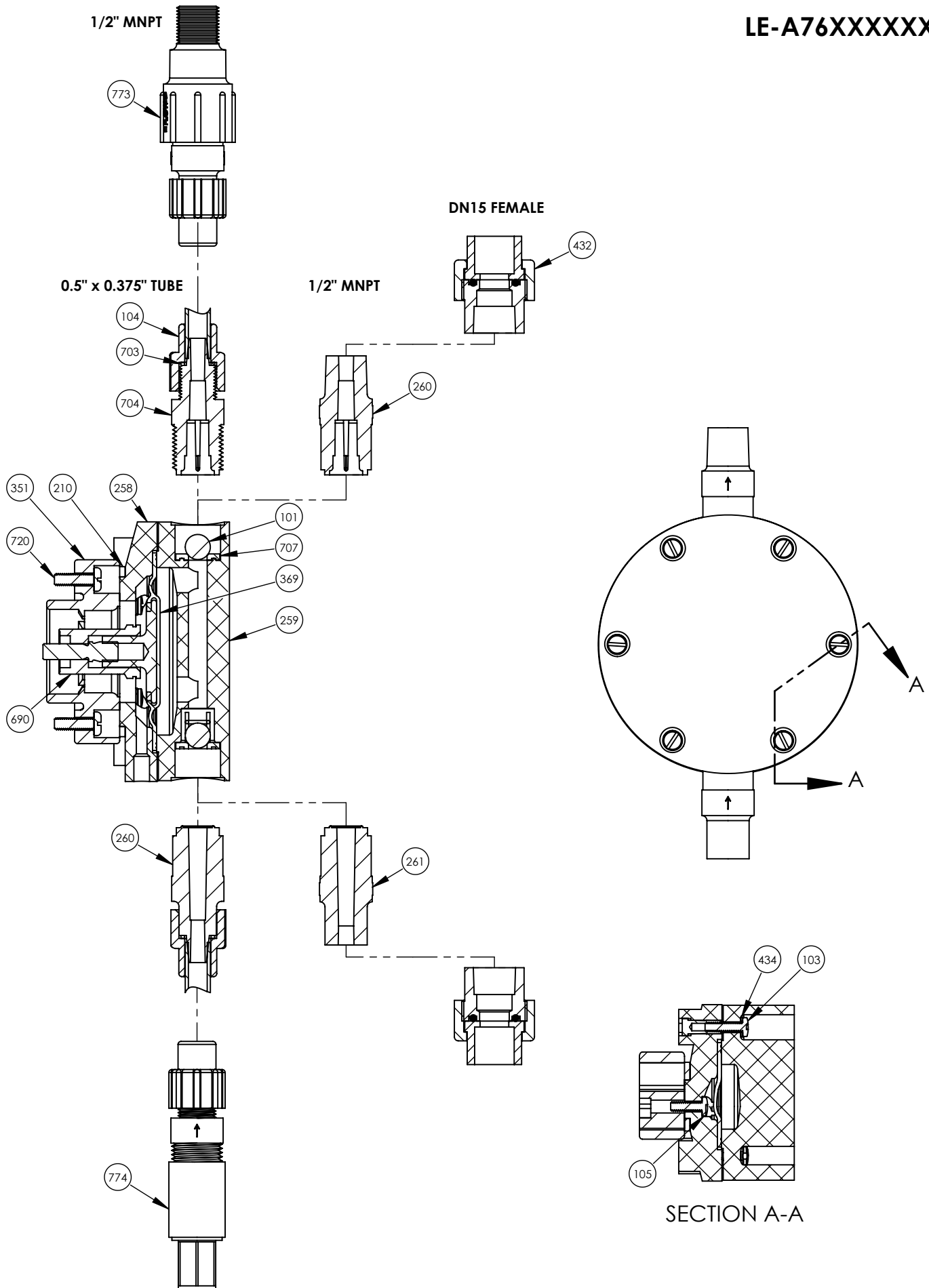


When tubing connections are loosened, chemical will drain from the line. Use appropriate safety precautions to avoid contact with chemical.

REFER TO THE EXCEL XR INSTRUCTION MANUAL FOR ADDITIONAL INSTRUCTIONS AND PRECAUTIONS.

You may contact your local LMI Distributor for additional information or visit LMI on the web at www.lmipumps.com

Specifications subject to change without notice.
EXCEL® is a registered trademark of Milton Roy, LLC.
© 2018 Milton Roy, LLC — All rights reserved.



Key Number	Description	Part Number	Quantity								
			A76VCN7PN	A76ACN7PN	A76ATN7PN	A76VCN7TN	A76ACN7TN	A76ATN7TN	A76VCN2FN	A76ACN2FN	A76ATN2FN
101	BALL	10138	2	2	-	2	2	-	2	2	-
		10601	-	-	2	-	-	2	-	-	2
103	SCREW, HEAD	30856	6	6	6	6	6	6	6	6	6
104	COUPLING NUT	10411	-	-	-	2	2	2	-	-	-
105	SCREW, LE ADAPTER	10598	4	4	4	4	4	4	4	4	4
210	CENTERING WASHER	1199959881N	1	1	1	1	1	1	1	1	1
258	DIAPHRAGM ADAPTER	38856	1	1	1	1	1	1	1	1	1
259	HEAD	48483	1	1	1	1	1	1	1	1	1
260	VALVE HOUSING	35585	1	1	1	-	-	-	1	1	1
		31938	-	-	-	1	1	1	-	-	-
261	VALVE HOUSING	35420	1	1	1	-	-	-	1	1	1
		31937	-	-	-	1	1	1	-	-	-
351	LE SPACER	70114	1	1	1	1	1	1	1	1	1
353	SECONDARY DIA-PHRAGM (BOOT)*	35330	1	1	1	1	1	1	1	1	1
369	DIAPHRAGM	36953	1	1	1	1	1	1	1	1	1
432	UNION	4320533028N	-	-	-	-	-	-	2	2	2
434	WASHER	38490	6	6	6	6	6	6	6	6	6
690	DIAPHRAGM SPACER	70056	1	1	1	1	1	1	1	1	1
703	CLAMP RING	37203	-	-	-	2	2	2	-	-	-
707	SEAL RING	10228	2	-	-	2	-	-	2	-	-
		55772	-	2	2	-	2	2	-	2	2
720	SCREW, LE SPACER	70054	4	4	4	4	4	4	4	4	4
773	INJECTION VALVE, 1/2" TUBE	33481	-	-	-	(1)	(1)	(1)	-	-	-
	INJECTION VALVE, NPT	38270	(1)	(1)	(1)	-	-	-	-	-	-
774	FOOT VALVE, 1/2" TUBE	33480	-	-	-	(1)	(1)	(1)	-	-	-
	FOOT VALVE, NPT	38271	(1)	(1)	(1)	-	-	-	-	-	-
-	TUBE, 1/2", PE	10142-16	-	-	-	(1)	(1)	(1)	-	-	-

Items shown in () are optional

*Boot not shown in drawing